

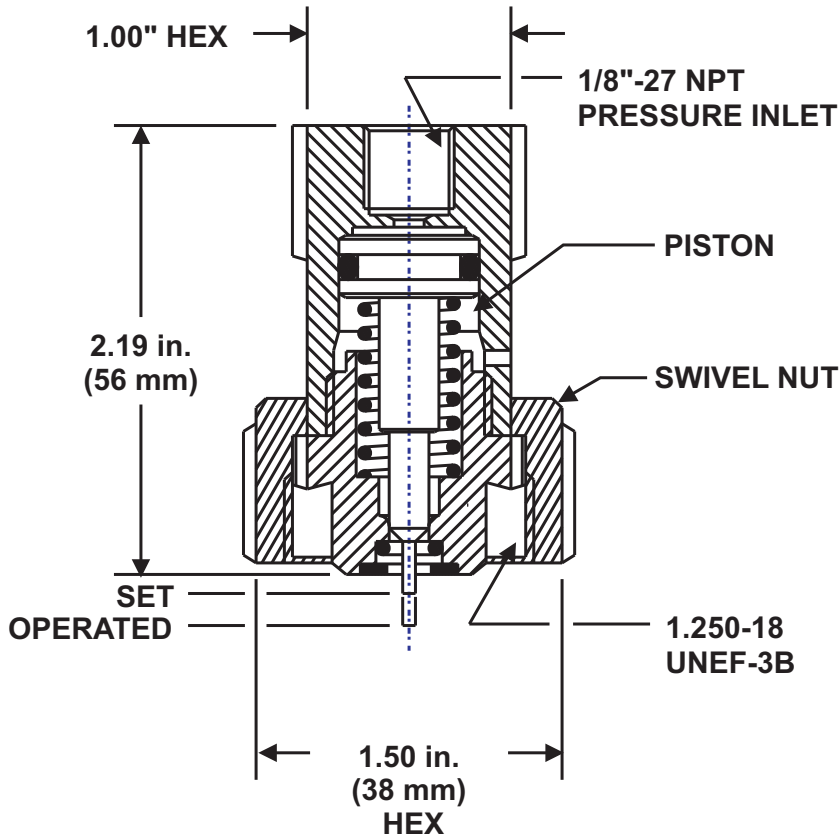
Pressure Operated Control Head

Effective: April 2023
K-85-0510 Rev AC

FEATURES

- For Approvals, see the "Compatibility" table on page 2.

P/N: 82-878737-000



MATERIAL

Body (Retaining Nut and Piston): Brass

COMPATIBILITY

Series	DIOM P/N	Approvals
Kidde Fire Systems ECS-500™ System	06-237585-001	UL, ULC, FM
Kidde Fire Systems ECS-500™ Marine System	06-237589-001	UL, ULC, USCG
Kidde Fire Systems ADS™ for use with Fluoroketone Fire Suppression Agents	06-237256-001	UL, ULC, FM
Kidde Fire Systems ADS™ Marine for use with Fluoroketone Fire Suppression Agents	06-237257-001	UL, ULC, USCG
Kidde Fire Systems ADS™ with HFC-227ea Agent	06-236068-001	UL, ULC, FM
Kidde Fire Systems ADS™ Marine with HFC-227ea Agent	06-236595-001	UL, ULC, USCG
Kidde Fire Systems ECS™ 360 for use with Fluoroketone Fire Suppression Agents	06-236553-001	UL, ULC, FM
Kidde Fire Systems ECS™ 360 Marine for use with Fluoroketone Fire Suppression Agents	06-236559-001	UL, ULC, USCG
Kidde Fire Systems ECS™ 360 with HFC-227ea Agent	06-236115-001	UL, ULC, FM
Kidde Fire Systems Modular ECS™ 360 with HFC-227ea Agent	06-236116-001	UL, ULC, FM
Kidde Fire Systems ECS™ 360 Marine with HFC-227ea Agent	06-236225-001	UL, USCG
Kidde Fire Systems FE-13™ Engineered Suppression System	06-236169-002	UL
Kidde Fire Systems High Pressure CO ₂ System	81-CO2MAN-001	UL, ULC, FM
Kidde Fire Systems High Pressure CO ₂ Marine System	220610	UL, USCG

EXPORT INFORMATION (USA)

Jurisdiction: EAR
Classification: EAR99

This document contains technical data subject to the EAR.

All trademarks are the property of their respective owners.

This literature is provided for informational purposes only. KIDDE-FENWAL, INC. believes this data to be accurate, but it is published and presented without any guarantee or warranty whatsoever. KIDDE-FENWAL, INC. assumes no responsibility for the product's suitability for a particular application. The fire suppression system design, installation, maintenance, service and troubleshooting must be performed by trained, authorized Kidde Fire Systems distributors for the product to work correctly. If you need more information on this product, or if you have a particular problem or question, contact: KIDDE-FENWAL, INC., Ashland, MA 01721 USA, Telephone: (508) 881-2000.